

STEAM RADIATORS

**The
stylish
alternative
to bulky
cast iron!**



STEAMRADIATORS

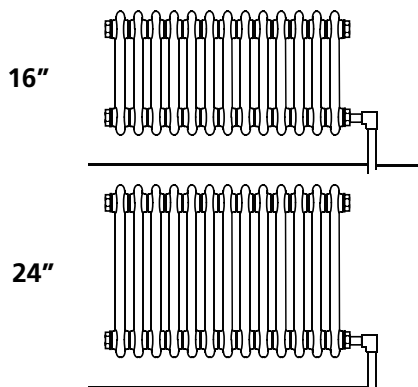
P.O. Box 8287
Ward Hill, MA 01835
Tel: 978-373-1942
Fax: 978-372-1466
Toll-Free: 800-966-0587
www.steamradiators.com
E-Mail: sales@steamradiators.com

Style: Sleek 4" profile. Available in two heights (16" and 24") and five lengths (24", 36", 48", 60", and 72")

Immediate Delivery: Available for immediate delivery in white and two weeks for steel gray. Hundreds of colors are available by special order.

Quick and Easy Installation: The Charleston Pro is made for both one pipe and two pipe steam systems. Single piece construction, continuous mounting, individual wrapping and tagging, and uniform fittings (which allow the radiators to be piped six ways) make the Charleston Pro easy to specify and install.

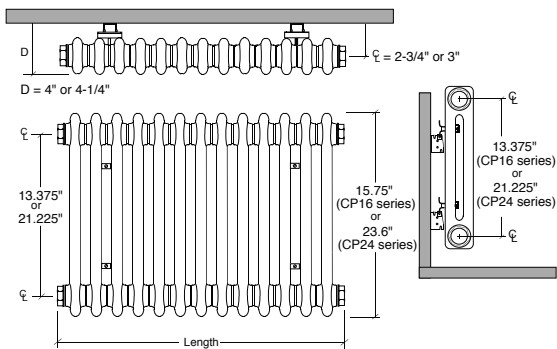
Durability: The Charleston Pro's all-welded steel construction ensures a long service life. Proprietary internal construction guards against steam corrosion. All Charleston Pro Radiators have a five-year limited warranty.



CHARLESTON PRO CAPACITIES					
Nominal Length	24"	36"	48"	60"	72"
BTU / H O U T P U T S					
16" HEIGHT	2,990	4,370	5,980	7,590	8,970
24" HEIGHT	4,654	6,820	9,308	11,814	13,962

STEAM RADIATOR INSTALLATION TIPS

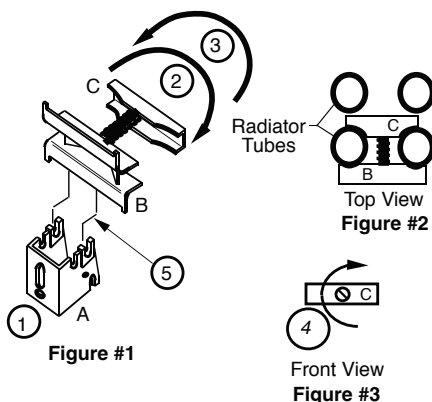
ROUGHING-IN



16" HIGH MODEL	CP16-24	CP16-36	CP16-48	CP16-60	CP16-72
Nominal Length	24"	36"	48"	60"	72"
LENGTH (IN.)	25.1"	35.98"	48.66"	61.34"	72.2"
WEIGHT (LBS)	21 lbs	30.3 lbs	40.5 lbs	51.3 lbs	60.5 lbs

24" HIGH MODEL	CP24-24	CP24-36	CP24-48	CP24-60	CP24-72
Nominal Length	24"	36"	48"	60"	72"
LENGTH (IN.)	25.1"	35.98"	48.66"	61.34"	72.2"
WEIGHT (LBS)	29.2 lbs	42.4 lbs	57.8 lbs	73.2 lbs	86.4 lbs

MOUNTING

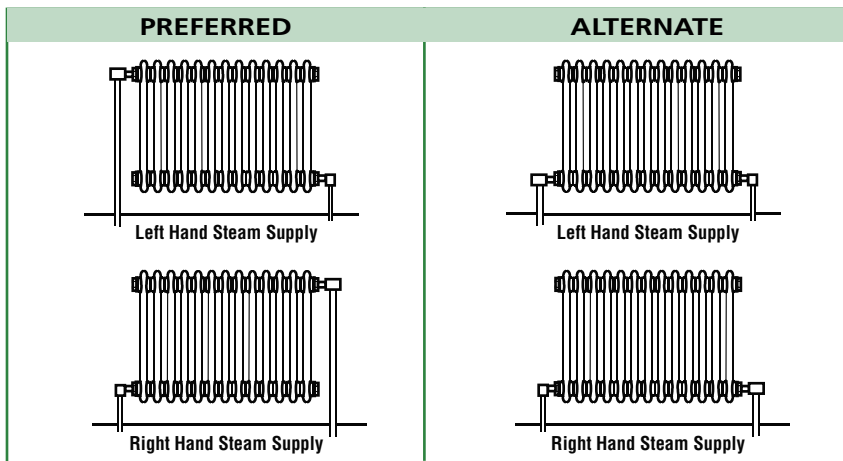


Mounting Tips:

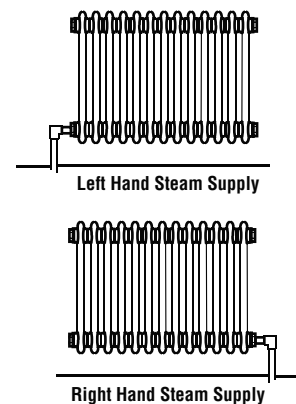
1. Lay out the desired position of the radiator on the wall. Determine the locations of solid wall members (wall studs, bracing, etc.). Mark the positions for the wall mounting brackets (A), noting that each bracket should fit in the center of the space between adjacent radiator tubes. Fasten all part A wall brackets securely to the wall using appropriate mounting fasteners (by others).
Note: All of the brackets supplied should be used, half as top supports and half as bottom supports.
2. Rotate part C at a 90° angle to part B, and insert part C between two adjacent rear tubes of the radiator so that the bracket assembly B-C will line up with its corresponding slot on part A.
3. Rotate part C back 90° in the opposite direction, so that the bracket assembly B-C "captures" the two adjacent rear tubes of the radiator (see Figure #2).
4. Tighten the screw on part C (see Figure #3), so that the bracket assembly B-C tightly clamps the radiator's rear tubes. Repeat steps 2, 3, and 4 for all remaining bracket assemblies.
5. Mount the radiator to the wall by placing parts B into the mounting slots of Parts A. Check to make sure that the radiator tilts at least 1/16" per foot towards the condensate return. If necessary, loosen all parts C slightly and adjust the radiator to get the proper radiator tilt.

PIPING

2-PIPE STEAM SYSTEM



1-PIPE STEAM SYSTEM



GENERAL INSTALLATION TIPS

2- Pipe Steam System

1. A 1" NPT tapping is included on each corner of the radiator. Two 1" plugs are provided to plug the two unused radiator tappings. Use a 5/8" allen wrench to tighten these plugs. A third plug with a 1/8" vent tapping is also included. Pipe dope should be applied to the plugs.
2. The installer should supply and install the proper size reducing bushing for the steam trap to be used.
3. The mounting brackets must be secured to a load-bearing wall member (like a wall stud or solid backing) capable of handling the radiator's weight.
4. The radiator should be tilted a minimum of 1/16" per foot toward the condensate return.

1- Pipe Steam System

1. A 1" NPT tapping is included on each corner of the radiator. Two 1" plugs are provided to plug the two unused radiator tappings. Use a 5/8" allen wrench to tighten these plugs. A third plug with a 1/8" vent tapping is also included. Pipe dope should be applied to the plugs.
2. The installer should supply and install the proper one pipe steam air vent or control valve in the 1/8" vent tapping.
3. The mounting brackets must be secured to a load-bearing wall member (like a wall stud or solid backing) capable of handling the radiator's weight.
4. The radiator should be tilted a minimum of 1/16" per foot toward the condensate return.